



AERA



Foundation Drilling Equipment Manufacturing

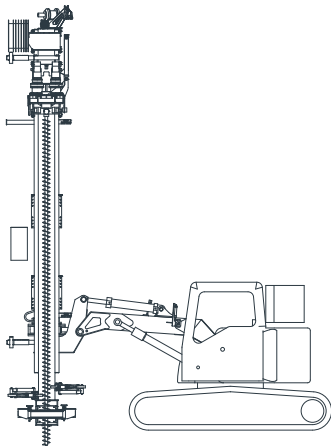
ONE FLEXIBLE, POWERFUL RIG. MANY APPLICATIONS.

The AERA (Articulated Earth Retention Attachment) is an excavator-mounted drilling rig that will outperform other rigs on everything from wide open spaces to obstacles to slopes.

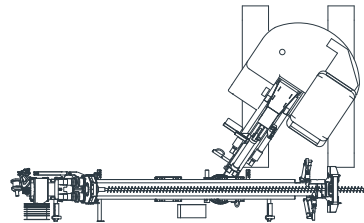
Whether you need a long-stroke, single-pass machine, or a short-stroke rig to replace your conventional crawler, the AERA's unsurpassed mast articulation, in-cab controls for comfort and endless customization options mean productivity and profits for the long haul. The AERA's versatility can help you tackle a wide variety of profitable projects. Quick between holes and efficient over the hole, the AERA will make you raise your hand for jobs you've overlooked in the past. The AERA performs when tackling:

- + Micropiles
- + Jet grouting
- + Seismic retrofit
- + Tiebacks
- + Wick drains
- + Slope stabilization
- + Soil nails
- + Geothermal

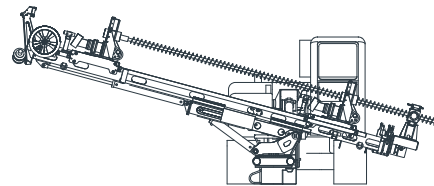
**ROTARY SPEED UP
TO 100 RPM PLUS
MINIMUM BENCH
AS LOW AS 12 FEET
(3.5 METERS)**



SIDE VIEW



TOP VIEW



FRONT VIEW

FIND THE AERA RIG THAT'S RIGHT FOR YOU

AERA SMALL BORE SPECS						
		Units	1008	1420	1430	1440
Stroke		ft	8	20	30	40
		m	2.5	6	9	12
Minimum bench		ft	8	11	11	12
		m	2.5	3	3	3.5
Feed system*	Type		Cylinder	Motor	Motor	Motor
	Crowd	lbs	6,600	12,000	12,000	12,000
		kN	30	50	50	50
	Pullback	lbs	6,600	12,000	12,000	12,000
		kN	30	50	50	50
	Mast scope		ft	2	4	4
mm			600	1,200	1,200	1,200
Operating dimensions	Dim A	ft	17.9	31.3	41.3	51.3
		mm	5,455	9,590	12,590	15,635
	Dim B	ft	11.7	12.5	12.5	13.2
		mm	3,565	3,810	3,810	4,025
	Dim C	degrees	210	210	210	210
	Dim D	degrees	95	95	95	95
Dim E	ft	7.2	9.1	9.1	9.1	
	mm	2,195	2,775	2,775	2,775	
Transport specs ¹	Height	ft	10.5	11.5	11.5	11.5
		mm	3,200	3,505	3,505	3,505
	Length	ft	23.7	35.5	45.5	55.5
		mm	7,225	10,820	13,870	16,915
	Width	ft	8.5	8.5	10.5	11.1
		mm	2,590	2,590	3,200	3,385
Weight	lbs	35,000	58,000	62,000	66,000	
	kg	15,900	26,400	28,200	30,000	
Excavator class	Weight	lbs	20,000	30,000	40,000	40,000
		kg	9,100	13,600	18,200	21,800
	Power	HP	80	125	140	150
		kW	59	57	64	68

AERA SMALL BORE ROTARY SPECS

ROTARY HEAD MODEL	Units	HS8	HS10	HS12	HS14	HS18
Torque (max)	ft-lbs	8,000	10,000	12,000	14,000	18,000
	kN-m	11	14	16	19	24
Pressure (max)	psi	2,900	4,400	2,400	3,200	3,500
	bar	200	300	165	220	240
Speed (max)	RPM	100	100	40	60	60
Weight	lbs	450	600	265	1,000	1,100
	kg	205	270	120	455	500

AERA upgrades

- + Rotary head, percussion head or double-head configuration options
- + Add a rotary off hole slide or rotary off axis swing to make tool installation a breeze
- + Service winch to easily handle tooling
- + Wide range of clamps, including blocking, breakout and pullback clamps
- + Inclination/stroke indicator for accurate read-outs so you'll always produce the appropriate hole
- + Boom modifications to maximize the size of the AERA
- + Telescoping boom to enhance flexibility
- + Water pumps to flush or control dust from tooling
- + Hydraulic chuck for jet grouting
- + Rod changer to increase the depth capacity
- + Dual feed system for full mast lower and upper rotary feed control

*Specifications may be limited by excavator engine power
 †Based on two-piece mast with upper section removed

Need more options? We'll custom engineer the right rig for you.



“WE HAD A PROBLEM WITH OUR RIG ON ITS MAIDEN VOYAGE: WE UNDERESTIMATED THE PRODUCTION OF THE AERA 1440. WE HAD TO MAN UP TO KEEP UP—THIS WAS A GOOD PROBLEM TO HAVE.”

Kim Coffey, Beaty Construction, Inc.





Give us a call

Toll free (888) 569-3745

Local (208) 687-3311

Fax (208) 687-4153

New Zealand/Australia

+61 408 805 757

24/7 service

Toll free (888) 569-3745

Local (208) 687-3311

After hours (208) 446-4691

Send us an email

Sales: sales@bayshoresystems.com

Customer service: service@bayshoresystems.com

Stop by for a visit

Bay Shore Systems, Inc.

14206 North Ohio Street

Rathdrum, ID 83858

bayshoresystems.com

US Offices: Dallas, TX | Miami, FL | Atlanta, GA | Boston, MA | Rathdrum, ID (*headquarters*)

International Office: Sydney, Australia